

# Quilt Holder

## Assembly Instructions

Item# 14455-14459

### Hardware

A. Hex Head Bolt x 3 pcs

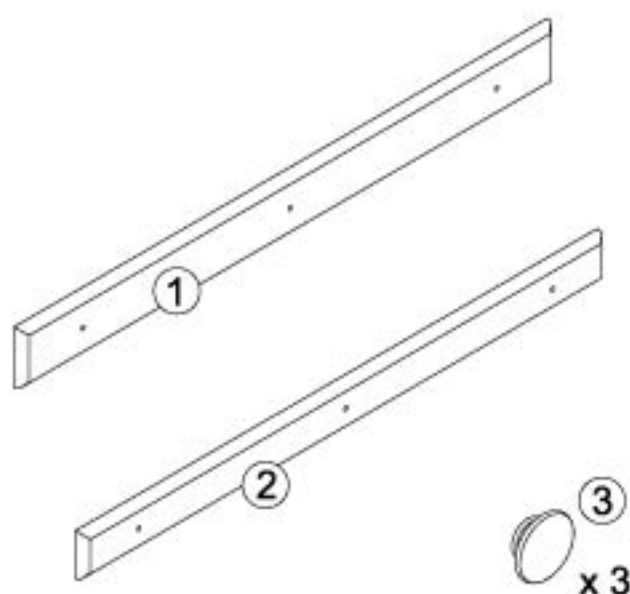


(1 5/16in, 33mm)

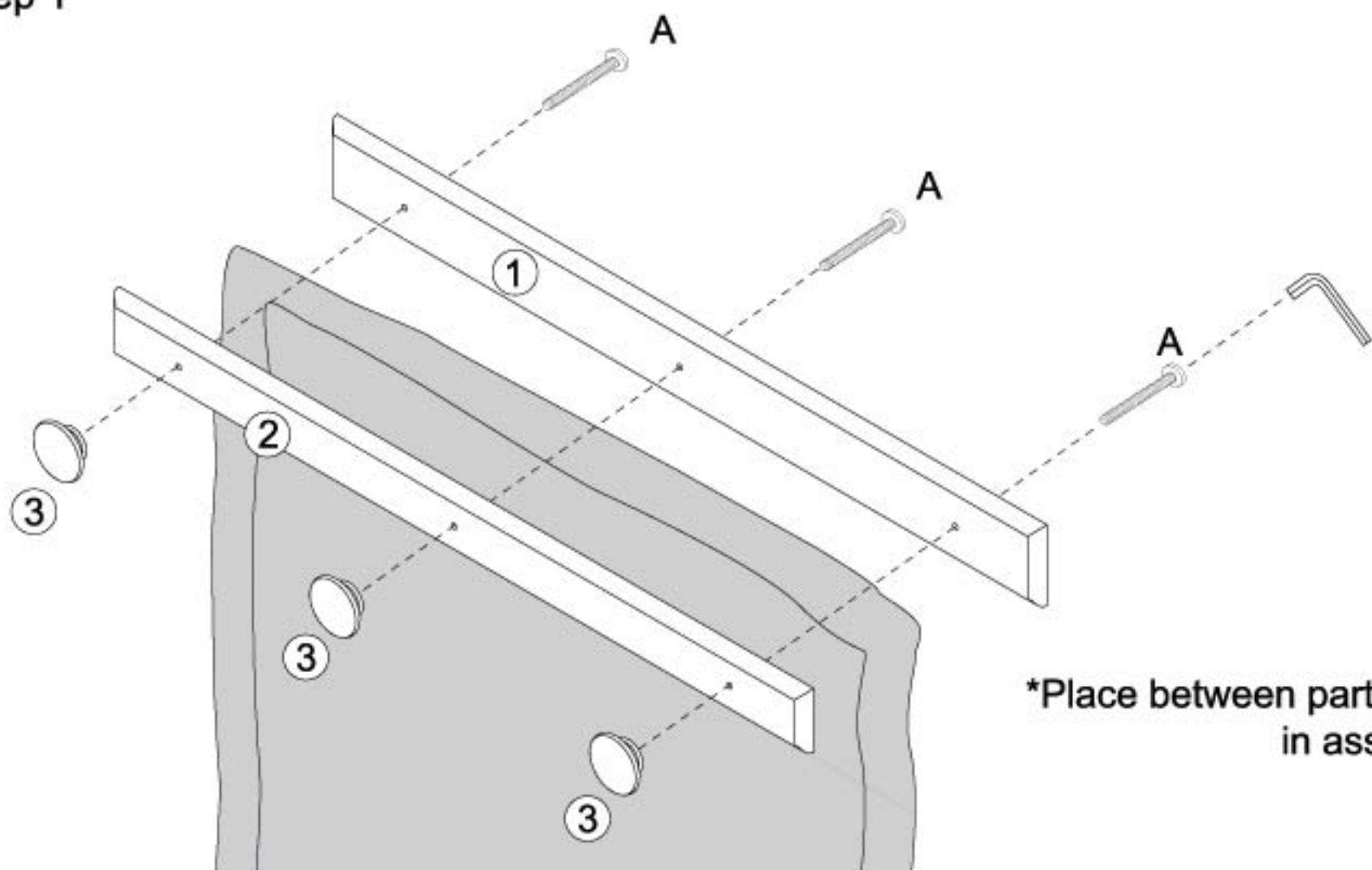
Allen Wrench x 1 pc



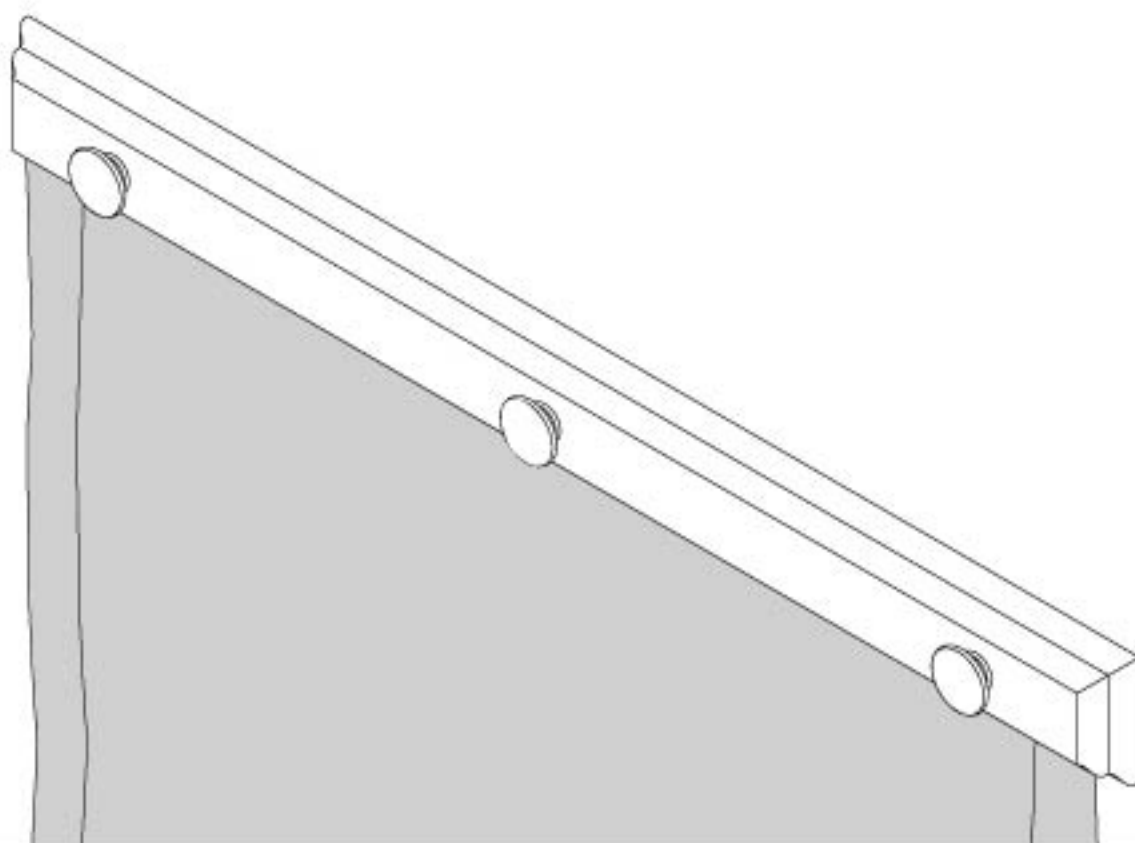
### Parts List



### Step 1



### Step 2



**CAUTION:** Adult assembly required. Hardware contains small screws with sharp points. Keep unassembled parts out of the reach of small children.

**WARNING: CHOKING HAZARD**  
Unassembled parts may be a choking hazard to children 3 years and younger.

**Customer Service**  
1-800-933-0771  
www.kidkraft.com