

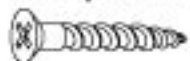
# Quilt Holder

## Wall Mounting Instructions

Item# 14455-14459

### Hardware

A . Wood Screw  
x 2 pieces



B . Plastic Anchor  
x 2 pieces



The following tools are required for assembly:

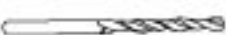
Phillips® screwdriver



Level



.125 inches/ 3mm Drill Bit



Hammer



Power Drill

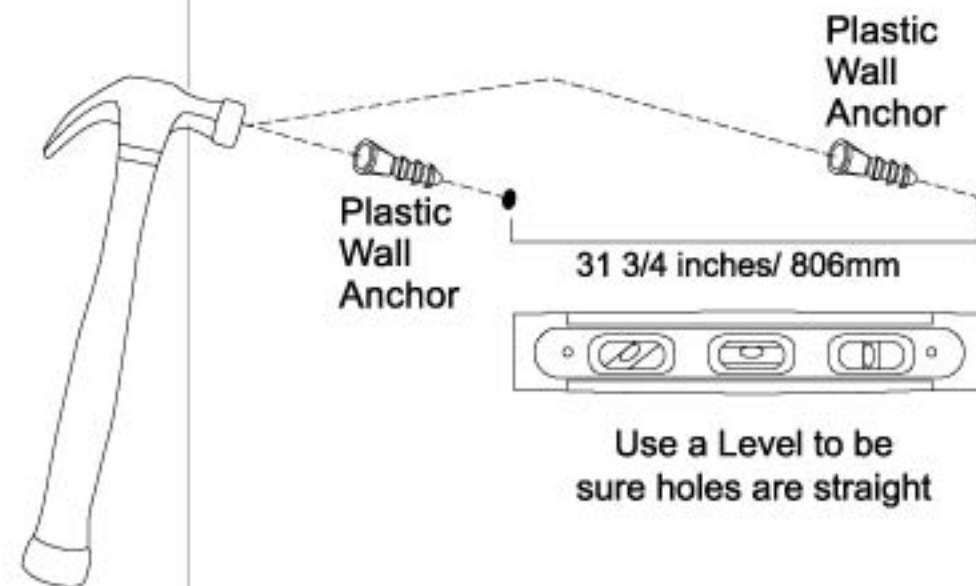


**\*These instructions are for drywall mounting only.**

### Step 1

1. Locate on wall where you want to hang quilt holder. Mark placement of hole with pencil, measure 31 3/4 inches/ 806mm horizontally and mark other mounting hole.

2. Using a power drill with a .125 inches/ 3mm drill bit, drill a hole in the wall slightly smaller than the diameter of the plastic wall anchor. With a hammer, tap wall anchor until the face is flush with the wall.



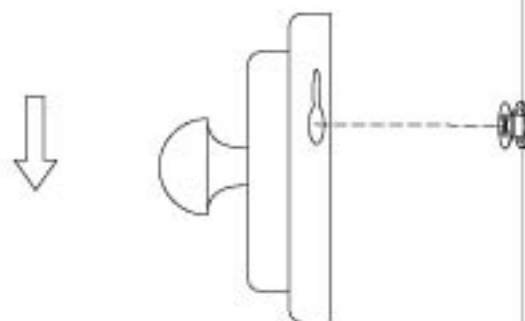
### Step 2

Insert 1 wood screw into the wall anchor. Repeat for second screw and anchor.



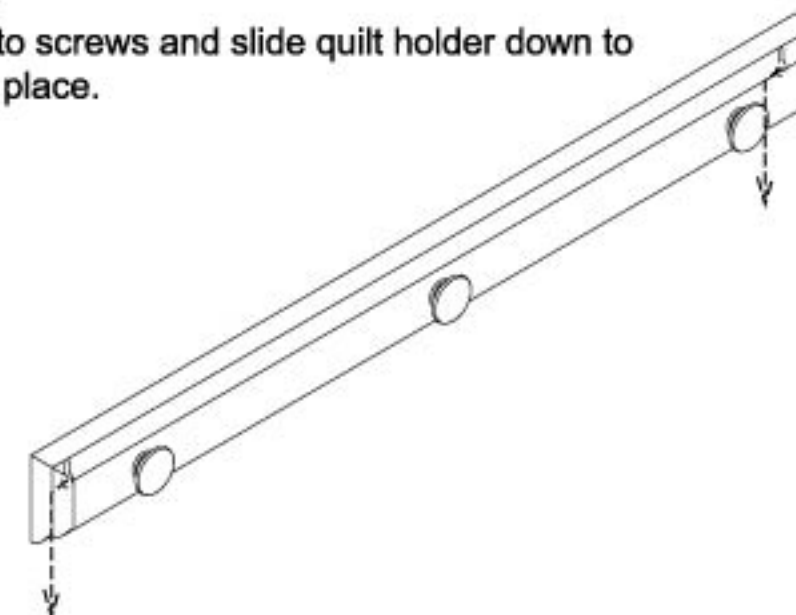
### Step 3

Line up shelf holes with screws on wall.



### Step 4

Hook onto screws and slide quilt holder down to lock into place.



**\*For safe installation it is essential to use hardware appropriate for your wall type. Mount to wood wall studs whenever possible. Use a 3/32" drill bit for the pilot hole. If mounting to plaster, wood panels, brick or other surfaces than drywall consult your local hardware store or a qualified professional.**



**CAUTION:** Adult assembly required. Hardware contains small screws with sharp points. Keep unassembled parts out of the reach of small children.

**USE AND MAINTENANCE:**

-Use on level surfaces only  
-Please check assembly at regular intervals, and periodically tighten hardware if necessary. If maintenance is not carried out the product could overturn or fall.



**WARNING: CHOKING HAZARD**  
Unassembled parts may be a choking hazard to children 3 years and younger.

**Customer Service**  
1-800-933-0771  
www.kidkraft.com